

# Taymor®

## HEAVY DUTY STAINLESS STEEL EXPOSED FLANGE GRAB BARS

### FEATURES

- ◆ BULK PACK
- ◆ TYPE 304 STAINLESS STEEL
- ◆ TUBING – .049 WALL THICKNESS – 18 GAUGE
- ◆ FLANGE – .078 THICKNESS – 14 GAUGE
- ◆ 1½" WALL CLEARANCE
- ◆ SMOOTH SATIN STAINLESS STEEL FINISH
- ◆ 2" STAINLESS STEEL INSTALLATION SCREWS



BATH SAFETY

FOR COMMERCIAL/INSTITUTIONAL INSTALLATION

ILLUSTRATION	DESCRIPTION	FINISH	MODEL #	CASE QTY.
--------------	-------------	--------	---------	-----------



### 1 1/4" DIAMETER EXPOSED FLANGE HEAVY DUTY STAINLESS STEEL GRAB BARS

10" – 1 1/4" O.D.	SMOOTH SATIN	01-E220010	4
12" – 1 1/4" O.D.	SMOOTH SATIN	01-E220012	4
16" – 1 1/4" O.D.	SMOOTH SATIN	01-E220016	4
18" – 1 1/4" O.D.	SMOOTH SATIN	01-E220018	4
24" – 1 1/4" O.D.	SMOOTH SATIN	01-E220024	4
30" – 1 1/4" O.D.	SMOOTH SATIN	01-E220030	4
32" – 1 1/4" O.D.	SMOOTH SATIN	01-E220032	4
36" – 1 1/4" O.D.	SMOOTH SATIN	01-E220036	4
42" – 1 1/4" O.D.	SMOOTH SATIN	01-E220042	4
48" – 1 1/4" O.D.	SMOOTH SATIN	01-E220048	4



### 1 1/2" DIAMETER EXPOSED FLANGE HEAVY DUTY STAINLESS STEEL GRAB BARS

10" – 1 1/2" O.D.	SMOOTH SATIN	01-E230010	4
12" – 1 1/2" O.D.	SMOOTH SATIN	01-E230012	4
16" – 1 1/2" O.D.	SMOOTH SATIN	01-E230016	4
18" – 1 1/2" O.D.	SMOOTH SATIN	01-E230018	4
24" – 1 1/2" O.D.	SMOOTH SATIN	01-E230024	4
30" – 1 1/2" O.D.	SMOOTH SATIN	01-E230030	4
32" – 1 1/2" O.D.	SMOOTH SATIN	01-E230032	4
36" – 1 1/2" O.D.	SMOOTH SATIN	01-E230036	4
42" – 1 1/2" O.D.	SMOOTH SATIN	01-E230042	4
48" – 1 1/2" O.D.	SMOOTH SATIN	01-E230048	4



# HEAVY DUTY STAINLESS STEEL GRAB BARS

## CONCEALED FLANGE

### FEATURES

- ◆ BULK PACK
- ◆ TYPE 304 STAINLESS STEEL
- ◆ 1½" WALL CLEARANCE
- ◆ TUBING - .049 WALL THICKNESS - 18 GAUGE
- ◆ FLANGE - .078 THICKNESS - 14 GAUGE
- ◆ SMOOTH SATIN OR TEXTURED STAINLESS STEEL FINISH
- ◆ 2" STAINLESS STEEL INSTALLATION SCREWS



FOR COMMERCIAL/INSTITUTIONAL INSTALLATION

ILLUSTRATION	DESCRIPTION	FINISH	MODEL #	CASE QTY.
	<b>1¼" DIAMETER CONCEALED FLANGE HEAVY DUTY STAINLESS STEEL GRAB BARS</b>			
	10" - 1¼" O.D.	SMOOTH SATIN	01-C220010	4
	12" - 1¼" O.D.	SMOOTH SATIN	01-C220012	4
	16" - 1¼" O.D.	SMOOTH SATIN	01-C220016	4
	18" - 1¼" O.D.	SMOOTH SATIN	01-C220018	4
	24" - 1¼" O.D.	SMOOTH SATIN	01-C220024	4
	30" - 1¼" O.D.	SMOOTH SATIN	01-C220030	4
	32" - 1¼" O.D.	SMOOTH SATIN	01-C220032	4
	36" - 1¼" O.D.	SMOOTH SATIN	01-C220036	4
	42" - 1¼" O.D.	SMOOTH SATIN	01-C220042	4
48" - 1¼" O.D.	SMOOTH SATIN	01-C220048	4	
	<b>1½" DIAMETER CONCEALED FLANGE HEAVY DUTY STAINLESS STEEL GRAB BARS</b>			
	10" - 1½" O.D.	SMOOTH SATIN	01-C230010	4
	12" - 1½" O.D.	SMOOTH SATIN	01-C230012	4
	16" - 1½" O.D.	SMOOTH SATIN	01-C230016	4
	18" - 1½" O.D.	SMOOTH SATIN	01-C230018	4
	24" - 1½" O.D.	SMOOTH SATIN	01-C230024	4
	30" - 1½" O.D.	SMOOTH SATIN	01-C230030	4
	32" - 1½" O.D.	SMOOTH SATIN	01-C230032	4
	36" - 1½" O.D.	SMOOTH SATIN	01-C230036	4
	42" - 1½" O.D.	SMOOTH SATIN	01-C230042	4
48" - 1½" O.D.	SMOOTH SATIN	01-C230048	4	
	<b>1½" DIAMETER CONCEALED FLANGE HEAVY DUTY STAINLESS STEEL GRAB BARS</b>			
	10" - 1½" O.D.	TEXTURED SATIN	01-TC230010	4
	12" - 1½" O.D.	TEXTURED SATIN	01-TC230012	4
	16" - 1½" O.D.	TEXTURED SATIN	01-TC230016	4
	18" - 1½" O.D.	TEXTURED SATIN	01-TC230018	4
	24" - 1½" O.D.	TEXTURED SATIN	01-TC230024	4
	30" - 1½" O.D.	TEXTURED SATIN	01-TC230030	4
	32" - 1½" O.D.	TEXTURED SATIN	01-TC230032	4
	36" - 1½" O.D.	TEXTURED SATIN	01-TC230036	4
	42" - 1½" O.D.	TEXTURED SATIN	01-TC230042	4
48" - 1½" O.D.	TEXTURED SATIN	01-TC230048	4	

# Taymor®

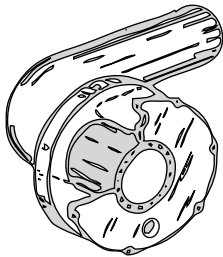
## HEAVY DUTY STAINLESS STEEL GRAB BARS



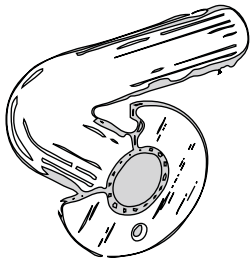
B  
A  
T  
H  
S  
A  
F  
E  
T  
Y

### SPECIFICATIONS

- ◆ TUBING IS FABRICATED FROM 18 GAUGE (.049"), TYPE 304 STAINLESS STEEL.
- ◆ EXPOSED SURFACES POLISHED TO A NO. 4 SATIN FINISH.
- ◆ CONCEALED FLANGES ARE 11 GAUGE (1/8"), TYPE 304 STAINLESS STEEL, 3" IN DIAMETER. 22 GAUGE (1/32"), TYPE 304 STAINLESS STEEL SNAP FLANGE COVER PLATE ESCUTCHEON.
- ◆ MOUNTING PLATES AND CENTER POSTS ARE HELIARC WELDED TO TUBING.
- ◆ TUBING IS FABRICATED OF 18 GAUGE (.050), TYPE 304 STAINLESS STEEL.
- ◆ EXPOSED SURFACES POLISHED TO A NO. 4 SATIN FINISH.
- ◆ EXPOSED FLANGES ARE 11 GAUGE (1/8"), TYPE 304 STAINLESS STEEL, 3" IN DIAMETER WITH 3 MOUNTING HOLES.
- ◆ FLANGES AND CENTER POSTS ARE HELIARC WELDED TO TUBING.
- ◆ ALL BARS ARE FURNISHED WITH 1 1/2" CLEARANCE UNLESS OTHERWISE SPECIFIED.
- ◆ CLEARANCE IS THE DISTANCE BETWEEN THE FINISHED WALL SURFACE AND THE INNER EDGE OF THE TUBING. THE STANDARD CLEARANCE FURNISHED IS 1 1/2" (AS SHOWN). OTHER CLEARANCES ARE AVAILABLE UPON REQUEST.
- ◆ CUSTOM MADE GRAB BARS ARE AVAILABLE UPON REQUEST.
- ◆ MEETS ADA REQUIREMENTS.
- ◆ 01-1200 AND 01-1300 SERIES ARE PROUDLY MADE IN AMERICA.



**CONCEALED  
GRAB BARS**



**EXPOSED  
GRAB BARS**



**TAYMOR GRAB BARS**  
WHEN PROPERLY INSTALLED, EXCEED HUD, HEW, FHA, VA  
AND OTHER FEDERAL, STATE AND LOCAL CODES.



# HEAVY DUTY SOLID BRASS

GRAB BARS RETAIL PACK

## FEATURES

- ◆ SOLID BRASS TUBING - .039 WALL THICKNESS -19 GAUGE
- ◆ FLANGE - .078 THICKNESS -14 GAUGE
- ◆ 1 1/2" WALL CLEARANCE
- ◆ COVERPLATE - .031 THICKNESS - 21 GAUGE
- ◆ 2" STAINLESS STEEL INSTALLATION SCREWS
- ◆ RETAIL PACK - POLYBAG WITH HEADER CARD
- ◆ CONCEALED MOUNT SNAP FLANGE



BATHWARE

## ILLUSTRATION

## DESCRIPTION

## FINISH

## MODEL#

## CASE QTY.

### 1 1/4" DIAMETER CONCEALED FLANGE SATIN NICKEL GRAB BARS



- 24" - 1 1/4" O.D.
- 36" - 1 1/4" O.D.
- 42" - 1 1/4" O.D.
- 48" - 1 1/4" O.D.



- SATIN NICKEL
- SATIN NICKEL
- SATIN NICKEL
- SATIN NICKEL

- 03-C220024SN
- 03-C220036SN
- 03-C220042SN
- 03-C220048SN

- 4
- 4
- 4
- 4

### 1 1/2" DIAMETER CONCEALED FLANGE POLISHED CHROME SOLID BRASS GRAB BARS



- 12" - 1 1/2" O.D.
- 16" - 1 1/2" O.D.
- 18" - 1 1/2" O.D.
- 24" - 1 1/2" O.D.
- 32" - 1 1/2" O.D.
- 36" - 1 1/2" O.D.
- 42" - 1 1/2" O.D.
- 48" - 1 1/2" O.D.

- POLISHED CHROME
- POLISHED CHROME
- POLISHED CHROME
- POLISHED CHROME
- POLISHED CHROME
- POLISHED CHROME
- POLISHED CHROME
- POLISHED CHROME

- 03-C220012
- 03-C220016
- 03-C220018
- 03-C220024
- 03-C220032
- 03-C220036
- 03-C220042
- 03-C220048

- 4
- 4
- 4
- 4
- 4
- 4
- 4
- 4



# HEAVY DUTY SOLID BRASS

## GRAB BARS RETAIL PACK

### FEATURES

- ◆ SOLID BRASS TUBING – .039 WALL THICKNESS – 19 GAUGE
- ◆ FLANGE – .078 THICKNESS – 14 GAUGE
- ◆ 1½" WALL CLEARANCE
- ◆ COVERPLATE – .031 THICKNESS – 21 GAUGE
- ◆ 2" STAINLESS STEEL INSTALLATION SCREWS
- ◆ RETAIL PACK – POLYBAG WITH HEADER CARD
- ◆ CONCEALED MOUNT SNAP FLANGE



ILLUSTRATION	DESCRIPTION	FINISH	MODEL #	CASE QTY.
--------------	-------------	--------	---------	-----------



### 1¼" DIAMETER CONCEALED FLANGE POLISHED CHROME SOLID BRASS GRAB BARS

12" – 1¼" O.D.	POLISHED CHROME	03-C220012	4
16" – 1¼" O.D.	POLISHED CHROME	03-C220016	4
18" – 1¼" O.D.	POLISHED CHROME	03-C220018	4
24" – 1¼" O.D.	POLISHED CHROME	03-C220024	4
30" – 1¼" O.D.	POLISHED CHROME	03-C220030	4
32" – 1¼" O.D.	POLISHED CHROME	03-C220032	4
36" – 1¼" O.D.	POLISHED CHROME	03-C220036	4
42" – 1¼" O.D.	POLISHED CHROME	03-C220042	4
48" – 1¼" O.D.	POLISHED CHROME	03-C220048	4



### 1½" DIAMETER CONCEALED FLANGE POLISHED CHROME SOLID BRASS GRAB BARS

12" – 1½" O.D.	POLISHED CHROME	03-C230012	4
16" – 1½" O.D.	POLISHED CHROME	03-C230016	4
18" – 1½" O.D.	POLISHED CHROME	03-C230018	4
24" – 1½" O.D.	POLISHED CHROME	03-C230024	4
30" – 1½" O.D.	POLISHED CHROME	03-C230030	4
32" – 1½" O.D.	POLISHED CHROME	03-C230032	4
36" – 1½" O.D.	POLISHED CHROME	03-C230036	4
42" – 1½" O.D.	POLISHED CHROME	03-C230042	4
48" – 1½" O.D.	POLISHED CHROME	03-C230048	4

## HEAVY DUTY SOLID BRASS

### GRAB BARS RETAIL PACK



#### FEATURES

- ◆ SOLID BRASS TUBING – .049 WALL THICKNESS – 18 GAUGE
- ◆ 1½" WALL CLEARANCE
- ◆ PEGGABLE RETAIL PACK
- ◆ 1¼" CONCEALED FLANGE MOUNT – .078 THICKNESS – 14 GAUGE
- ◆ HIGHLY POLISHED SOLID BRASS AND COMBINATION POLISHED CHROME & POLISHED BRASS FINISH SUITABLE FOR RESIDENTIAL APPLICATIONS.

ILLUSTRATION	DESCRIPTION	FINISH	MODEL #	CASE QTY.
--------------	-------------	--------	---------	-----------



#### 1¼" DIAMETER CONCEALED FLANGE SOLID BRASS POLISHED CHROME TUBING & POLISHED BRASS FLANGE GRAB BARS

12" – 1¼" O.D.	POLISHED CHROME & POLISHED BRASS	03-C220012CB	4
16" – 1¼" O.D.	POLISHED CHROME & POLISHED BRASS	03-C220016CB	4
18" – 1¼" O.D.	POLISHED CHROME & POLISHED BRASS	03-C220018CB	4
24" – 1¼" O.D.	POLISHED CHROME & POLISHED BRASS	03-C220024CB	4
30" – 1¼" O.D.	POLISHED CHROME & POLISHED BRASS	03-C220030CB	4



#### 1¼" DIAMETER CONCEALED FLANGE SOLID POLISHED BRASS GRAB BARS

12" – 1¼" O.D.	POLISHED BRASS	03-C220012PB	4
16" – 1¼" O.D.	POLISHED BRASS	03-C220016PB	4
18" – 1¼" O.D.	POLISHED BRASS	03-C220018PB	4
24" – 1¼" O.D.	POLISHED BRASS	03-C220024PB	4
30" – 1¼" O.D.	POLISHED BRASS	03-C220030PB	4
32" – 1¼" O.D.	POLISHED BRASS	03-C220032PB	4
36" – 1¼" O.D.	POLISHED BRASS	03-C220036PB	4



# HEAVY DUTY

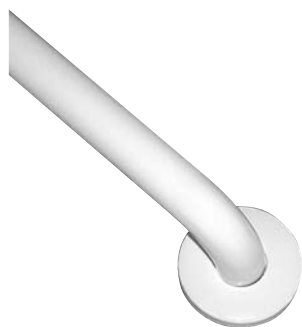
## GRAB BARS RETAIL PACK *continued*



### FEATURES

- ◆ TUBING – .049 WALL THICKNESS – 18 GAUGE
- ◆ 1½" WALL CLEARANCE
- ◆ PEGGABLE RETAIL PACK
- ◆ 1¼" OR 1½" CONCEALED FLANGE MOUNT – .078 THICKNESS – 14 GAUGE
- ◆ WHITE VINYL POWDER COATED SUITABLE FOR RESIDENTIAL APPLICATIONS.

ILLUSTRATION	DESCRIPTION	FINISH	MODEL #	CASE QTY.
--------------	-------------	--------	---------	-----------



### 1¼" DIAMETER CONCEALED FLANGE WHITE VINYL POWDER COATED GRAB BARS

12" – 1¼" O.D.	WHITE VINYL POWDER COATED	03-C420012	4
16" – 1¼" O.D.	WHITE VINYL POWDER COATED	03-C420016	4
18" – 1¼" O.D.	WHITE VINYL POWDER COATED	03-C420018	4
24" – 1¼" O.D.	WHITE VINYL POWDER COATED	03-C420024	4
36" – 1¼" O.D.	WHITE VINYL POWDER COATED	03-C420036	4
42" – 1¼" O.D.	WHITE VINYL POWDER COATED	03-C420042	4
48" – 1¼" O.D.	WHITE VINYL POWDER COATED	03-C420048	4



### 1½" DIAMETER CONCEALED FLANGE WHITE VINYL POWDER COATED GRAB BARS

10" – 1½" O.D.	WHITE VINYL POWDER COATED	03-C430010	4
12" – 1½" O.D.	WHITE VINYL POWDER COATED	03-C430012	4
16" – 1½" O.D.	WHITE VINYL POWDER COATED	03-C430016	4
18" – 1½" O.D.	WHITE VINYL POWDER COATED	03-C430018	4
24" – 1½" O.D.	WHITE VINYL POWDER COATED	03-C430024	4
30" – 1½" O.D.	WHITE VINYL POWDER COATED	03-C430030	4
32" – 1½" O.D.	WHITE VINYL POWDER COATED	03-C430032	4
36" – 1½" O.D.	WHITE VINYL POWDER COATED	03-C430036	4
42" – 1½" O.D.	WHITE VINYL POWDER COATED	03-C430042	4
48" – 1½" O.D.	WHITE VINYL POWDER COATED	03-C430048	4




# HEAVY DUTY

## GRAB BARS RETAIL PACK *continued*



### FEATURES

- ◆ TUBING – .049 WALL THICKNESS – 18 GAUGE
- ◆ 1½" WALL CLEARANCE
- ◆ MEETS ADA REQUIREMENTS
- ◆ PEGGABLE RETAIL PACK
- ◆ 1¼" OR 1½" CONCEALED FLANGE MOUNT – .078 THICKNESS – 14 GAUGE
- ◆ SMOOTH OR TEXTURED SATIN STAINLESS STEEL WHITE VINYL POWDER COATED SUITABLE FOR RESIDENTIAL APPLICATIONS.

ILLUSTRATION	DESCRIPTION	FINISH	MODEL #	CASE QTY.
	<b>1½" DIAMETER CONCEALED FLANGE TEXTURED SATIN FINISH GRAB BARS</b>			
	16" – 1½" O.D.	TEXTURED SATIN	03-TC230016	4
	18" – 1½" O.D.	TEXTURED SATIN	03-TC230018	4
	24" – 1½" O.D.	TEXTURED SATIN	03-TC230024	4
	36" – 1½" O.D.	TEXTURED SATIN	03-TC230036	4
	<b>1¼" DIAMETER EXPOSED FLANGE WHITE VINYL POWDER COATED GRAB BARS</b>			
	12" – 1¼" O.D.	WHITE VINYL POWDER COATED	03-E420012	4
	16" – 1¼" O.D.	WHITE VINYL POWDER COATED	03-E420016	4
	18" – 1¼" O.D.	WHITE VINYL POWDER COATED	03-E420018	4
	24" – 1¼" O.D.	WHITE VINYL POWDER COATED	03-E420024	4
	36" – 1¼" O.D.	WHITE VINYL POWDER COATED	03-E420036	4
	42" – 1¼" O.D.	WHITE VINYL POWDER COATED	03-E420042	4
	48" – 1¼" O.D.	WHITE VINYL POWDER COATED	03-E420048	4
	<b>1¼" DIAMETER EXPOSED FLANGE SMOOTH SATIN COATED GRAB BARS</b>			
	16" – 1¼" O.D.	SMOOTH SATIN	03-E220016	4
	18" – 1¼" O.D.	SMOOTH SATIN	03-E220018	4
	24" – 1¼" O.D.	SMOOTH SATIN	03-E220024	4
	36" – 1¼" O.D.	SMOOTH SATIN	03-E220036	4



**Taymor®**



# STAINLESS STEEL GRAB BARS

1 1/4" DIAMETER  
EXPOSED FLANGE



ILLUSTRATION	DESCRIPTION	FINISH	MODEL #	WEIGHT/PIECE (LBS)
--------------	-------------	--------	---------	--------------------



**1 1/4" DIAMETER GRAB BARS WITH EXPOSED FLANGES**

	12" STRAIGHT BAR	STAINLESS STEEL	01-120012	1.3
	16" STRAIGHT BAR	STAINLESS STEEL	01-120016	1.5
	18" STRAIGHT BAR	STAINLESS STEEL	01-120018	1.5
	24" STRAIGHT BAR	STAINLESS STEEL	01-120024	1.8
	30" STRAIGHT BAR	STAINLESS STEEL	01-120030	2.0
	32" STRAIGHT BAR	STAINLESS STEEL	01-120032	2.0
	36" STRAIGHT BAR	STAINLESS STEEL	01-120036	2.5
	42" STRAIGHT BAR	STAINLESS STEEL	01-120042	2.8
	48" STRAIGHT BAR	STAINLESS STEEL	01-120048	3.0
	48" STRAIGHT BAR WITH CENTER POST	STAINLESS STEEL	01-1248CP	3.5
	16" x 32", 90° ANGLE BAR, RIGHT	STAINLESS STEEL	01-12005R	3.5
	16" x 32", 90° ANGLE BAR, LEFT	STAINLESS STEEL	01-12005L	3.5
	20" x 40", HORIZONTAL TUB BAR	STAINLESS STEEL	01-120010	3.5
	40" TUB END BAR, WALL TO FLOOR SUPPORT	STAINLESS STEEL	01-120015	7.0
	40" TUB END BAR, DOUBLE WALL SUPPORT	STAINLESS STEEL	01-120020	6.0
	48"H x 24"H x 32"V TUB BAR, RIGHT	STAINLESS STEEL	01-1225R	6.0
	48"H x 24"H x 32"V TUB BAR, LEFT	STAINLESS STEEL	01-1225L	6.0
	36" TUB END BAR, SINGLE WALL SUPPORT, RIGHT	STAINLESS STEEL	01-1230R	5.0
	36" TUB END BAR, SINGLE WALL SUPPORT, LEFT	STAINLESS STEEL	01-1230L	5.0
	36" TUB END BAR, SINGLE FLOOR SUPPORT, RIGHT	STAINLESS STEEL	01-1235R	5.0
	36" TUB END BAR, SINGLE FLOOR SUPPORT, LEFT	STAINLESS STEEL	01-1235L	5.0
	"U" SHAPED SHOWER BAR	STAINLESS STEEL	01-120040	6.0
	30" x 30" HORIZONTAL SHOWER BAR	STAINLESS STEEL	01-120045	4.0
	52" WHEELCHAIR TOILET COMPARTMENT BAR	STAINLESS STEEL	01-120052	4.0
	12" x 12", 120° ANGLE BAR	STAINLESS STEEL	01-120055	2.0
	30" x 33" WALL TO FLOOR BAR WITH SOCKET	STAINLESS STEEL	01-1260S	4.0
	SIDE BAR WITH OUTRIGGER, RIGHT	STAINLESS STEEL	01-1265R	5.0
	SIDE BAR WITH OUTRIGGER, LEFT	STAINLESS STEEL	01-1265L	5.0
	WALL TO FLOOR STRADDLE BAR	STAINLESS STEEL	01-120070	6.0
	WALL TO FLOOR BAR WITH OUTRIGGER, RIGHT	STAINLESS STEEL	01-1275R	5.0
	WALL TO FLOOR BAR WITH OUTRIGGER, LEFT	STAINLESS STEEL	01-1275L	5.0
	STRADDLE BAR	STAINLESS STEEL	01-120080	6.0
	STRADDLE BAR FOR USE WITH FLUSH VALVE	STAINLESS STEEL	01-1280FV	6.0
	WALL TO FLOOR SWING BAR	STAINLESS STEEL	01-120085	15.0
	WALL TO FLOOR SWING BAR WITH PAPER HOLDER	STAINLESS STEEL	01-1285PH	16.0

# Taymor®



# STAINLESS STEEL GRAB BARS

1 1/4" DIAMETER

CONCEALED

FLANGE



BATH SAFETY

ILLUSTRATION	DESCRIPTION	FINISH	MODEL #	WEIGHT/PIECE (LBS)
	<b>1 1/4" DIAMETER GRAB BARS WITH CONCEALED FLANGES</b>			
	12" STRAIGHT BAR	STAINLESS STEEL	01-C120012	1.3
	16" STRAIGHT BAR	STAINLESS STEEL	01-C120016	1.5
	18" STRAIGHT BAR	STAINLESS STEEL	01-C120018	1.5
	24" STRAIGHT BAR	STAINLESS STEEL	01-C120024	1.8
	30" STRAIGHT BAR	STAINLESS STEEL	01-C120030	2.0
	32" STRAIGHT BAR	STAINLESS STEEL	01-C120032	2.0
	36" STRAIGHT BAR	STAINLESS STEEL	01-C120036	2.5
	42" STRAIGHT BAR	STAINLESS STEEL	01-C120042	2.8
	48" STRAIGHT BAR	STAINLESS STEEL	01-C120048	3.0
	48" STRAIGHT BAR WITH CENTER POST	STAINLESS STEEL	01-C1248CP	3.5
	16" x 32", 90° ANGLE BAR, RIGHT	STAINLESS STEEL	01-C12005R	3.5
	16" x 32", 90° ANGLE BAR, LEFT	STAINLESS STEEL	01-C12005L	3.5
	20" x 40", HORIZONTAL TUB BAR	STAINLESS STEEL	01-C120010	3.5
	40" TUB END BAR, WALL TO FLOOR SUPPORT	STAINLESS STEEL	01-C120015	7.0
	40" TUB END BAR, DOUBLE WALL SUPPORT	STAINLESS STEEL	01-C120020	6.0
	48"H x 24"H x 32"V TUB BAR, RIGHT	STAINLESS STEEL	01-C1225R	6.0
	48"H x 24"H x 32"V TUB BAR, LEFT	STAINLESS STEEL	01-C1225L	6.0
	36" TUB END BAR, SINGLE WALL SUPPORT, RIGHT	STAINLESS STEEL	01-C1230R	5.0
	36" TUB END BAR, SINGLE WALL SUPPORT, LEFT	STAINLESS STEEL	01-C1230L	5.0
	36" TUB END BAR, SINGLE FLOOR SUPPORT, RIGHT	STAINLESS STEEL	01-C1235R	5.0
	36" TUB END BAR, SINGLE FLOOR SUPPORT, LEFT	STAINLESS STEEL	01-C1235L	5.0
	"U" SHAPED SHOWER BAR	STAINLESS STEEL	01-C120040	6.0
	30" x 30" HORIZONTAL SHOWER BAR	STAINLESS STEEL	01-C120045	4.0
	52" WHEELCHAIR TOILET COMPARTMENT BAR	STAINLESS STEEL	01-C120052	4.0
	12" x 12", 120° ANGLE BAR	STAINLESS STEEL	01-C120055	2.0
	30" x 33" WALL TO FLOOR BAR WITH SOCKET	STAINLESS STEEL	01-C1260S	4.0
	SIDE BAR WITH OUTRIGGER, RIGHT	STAINLESS STEEL	01-C1265R	5.0
	SIDE BAR WITH OUTRIGGER, LEFT	STAINLESS STEEL	01-C1265L	5.0
	WALL TO FLOOR STRADDLE BAR	STAINLESS STEEL	01-C120070	6.0
	WALL TO FLOOR BAR WITH OUTRIGGER, RIGHT	STAINLESS STEEL	01-C1275R	5.0
	WALL TO FLOOR BAR WITH OUTRIGGER, LEFT	STAINLESS STEEL	01-C1275L	5.0
	STRADDLE BAR	STAINLESS STEEL	01-C120080	6.0
	STRADDLE BAR FOR USE WITH FLUSH VALVE	STAINLESS STEEL	01-C1280FV	6.0
	WALL TO FLOOR SWING BAR	STAINLESS STEEL	01-C120085	15.0
	WALL TO FLOOR SWING BAR WITH PAPER HOLDER	STAINLESS STEEL	01-C1285PH	16.0



**Taymor®**



# STAINLESS STEEL GRAB BARS

1 1/2" DIAMETER

EXPOSED

FLANGE



**ILLUSTRATION      DESCRIPTION      FINISH      MODEL #      WEIGHT/PIECE (LBS)**



**1 1/2" DIAMETER GRAB BARS WITH EXPOSED FLANGES**

12" STRAIGHT BAR	STAINLESS STEEL	01-130012	1.3
16" STRAIGHT BAR	STAINLESS STEEL	01-130016	1.5
18" STRAIGHT BAR	STAINLESS STEEL	01-130018	1.5
24" STRAIGHT BAR	STAINLESS STEEL	01-130024	1.8
30" STRAIGHT BAR	STAINLESS STEEL	01-130030	2.0
32" STRAIGHT BAR	STAINLESS STEEL	01-130032	2.0
36" STRAIGHT BAR	STAINLESS STEEL	01-130036	2.5
42" STRAIGHT BAR	STAINLESS STEEL	01-130042	2.8
48" STRAIGHT BAR	STAINLESS STEEL	01-130048	3.0
48" STRAIGHT BAR WITH CENTER POST	STAINLESS STEEL	01-1348CP	3.5
16" x 32", 90° ANGLE BAR, RIGHT	STAINLESS STEEL	01-13005R	3.5
16" x 32", 90° ANGLE BAR, LEFT	STAINLESS STEEL	01-13005L	3.5
20" x 40", HORIZONTAL TUB BAR	STAINLESS STEEL	01-130010	3.5
40" TUB END BAR, WALL TO FLOOR SUPPORT	STAINLESS STEEL	01-130015	7.0
40" TUB END BAR, DOUBLE WALL SUPPORT	STAINLESS STEEL	01-130020	6.0
48"H x 24"H x 32"V TUB BAR, RIGHT	STAINLESS STEEL	01-1325R	6.0
48"H x 24"H x 32"V TUB BAR, LEFT	STAINLESS STEEL	01-1325L	6.0
36" TUB END BAR, SINGLE WALL SUPPORT, RIGHT	STAINLESS STEEL	01-1330R	5.0
36" TUB END BAR, SINGLE WALL SUPPORT, LEFT	STAINLESS STEEL	01-1330L	5.0
36" TUB END BAR, SINGLE FLOOR SUPPORT, RIGHT	STAINLESS STEEL	01-1335R	5.0
36" TUB END BAR, SINGLE FLOOR SUPPORT, LEFT	STAINLESS STEEL	01-1335L	5.0
"U" SHAPED SHOWER BAR	STAINLESS STEEL	01-130040	6.0
30" x 30" HORIZONTAL SHOWER BAR	STAINLESS STEEL	01-130045	4.0
52" WHEELCHAIR TOILET COMPARTMENT BAR	STAINLESS STEEL	01-130052	4.0
12" x 12", 120° ANGLE BAR	STAINLESS STEEL	01-130055	2.0
30" x 33" WALL TO FLOOR BAR WITH SOCKET	STAINLESS STEEL	01-1360S	4.0
SIDE BAR WITH OUTRIGGER, RIGHT	STAINLESS STEEL	01-1365R	5.0
SIDE BAR WITH OUTRIGGER, LEFT	STAINLESS STEEL	01-1365L	5.0
WALL TO FLOOR STRADDLE BAR	STAINLESS STEEL	01-130070	6.0
WALL TO FLOOR BAR WITH OUTRIGGER, RIGHT	STAINLESS STEEL	01-1375R	5.0
WALL TO FLOOR BAR WITH OUTRIGGER, LEFT	STAINLESS STEEL	01-1375L	5.0
STRADDLE BAR	STAINLESS STEEL	01-130080	6.0
STRADDLE BAR FOR USE WITH FLUSH VALVE	STAINLESS STEEL	01-1380FV	6.0
WALL TO FLOOR SWING BAR	STAINLESS STEEL	01-130085	15.0
WALL TO FLOOR SWING BAR WITH PAPER HOLDER	STAINLESS STEEL	01-1385PH	16.0

**Taymor®**



# STAINLESS STEEL GRAB BARS

1 1/2" DIAMETER  
CONCEALED  
FLANGE



BATH SAFETY

ILLUSTRATION	DESCRIPTION	FINISH	MODEL #	WEIGHT/PIECE (LBS)
	<b>1 1/2" DIAMETER GRAB BARS WITH CONCEALED FLANGES</b>			
	12" STRAIGHT BAR	STAINLESS STEEL	01-C130012	1.3
	16" STRAIGHT BAR	STAINLESS STEEL	01-C130016	1.5
	18" STRAIGHT BAR	STAINLESS STEEL	01-C130018	1.5
	24" STRAIGHT BAR	STAINLESS STEEL	01-C130024	1.8
	30" STRAIGHT BAR	STAINLESS STEEL	01-C130030	2.0
	32" STRAIGHT BAR	STAINLESS STEEL	01-C130032	2.0
	36" STRAIGHT BAR	STAINLESS STEEL	01-C130036	2.5
	42" STRAIGHT BAR	STAINLESS STEEL	01-C130042	2.8
	48" STRAIGHT BAR	STAINLESS STEEL	01-C130048	3.0
	48" STRAIGHT BAR WITH CENTER POST	STAINLESS STEEL	01-C1348CP	3.5
	16" x 32", 90° ANGLE BAR, RIGHT	STAINLESS STEEL	01-C13005R	3.5
	16" x 32", 90° ANGLE BAR, LEFT	STAINLESS STEEL	01-C13005L	3.5
	20" x 40", HORIZONTAL TUB BAR	STAINLESS STEEL	01-C130010	3.5
	40" TUB END BAR, WALL TO FLOOR SUPPORT	STAINLESS STEEL	01-C130015	7.0
	40" TUB END BAR, DOUBLE WALL SUPPORT	STAINLESS STEEL	01-C130020	6.0
	48"H x 24"H x 32"V TUB BAR, RIGHT	STAINLESS STEEL	01-C1325R	6.0
	48"H x 24"H x 32"V TUB BAR, LEFT	STAINLESS STEEL	01-C1325L	6.0
	36" TUB END BAR, SINGLE WALL SUPPORT, RIGHT	STAINLESS STEEL	01-C1330R	5.0
	36" TUB END BAR, SINGLE WALL SUPPORT, LEFT	STAINLESS STEEL	01-C1330L	5.0
	36" TUB END BAR, SINGLE FLOOR SUPPORT, RIGHT	STAINLESS STEEL	01-C1335R	5.0
	36" TUB END BAR, SINGLE FLOOR SUPPORT, LEFT	STAINLESS STEEL	01-C1335L	5.0
	"U" SHAPED SHOWER BAR	STAINLESS STEEL	01-C130040	6.0
	30" x 30" HORIZONTAL SHOWER BAR	STAINLESS STEEL	01-C130045	4.0
	52" WHEELCHAIR TOILET COMPARTMENT BAR	STAINLESS STEEL	01-C130052	4.0
	12" x 12", 120° ANGLE BAR	STAINLESS STEEL	01-C130055	2.0
	30" x 33" WALL TO FLOOR BAR WITH SOCKET	STAINLESS STEEL	01-C1360S	4.0
	SIDE BAR WITH OUTRIGGER, RIGHT	STAINLESS STEEL	01-C1365R	5.0
	SIDE BAR WITH OUTRIGGER, LEFT	STAINLESS STEEL	01-C1365L	5.0
	WALL TO FLOOR STRADDLE BAR	STAINLESS STEEL	01-C130070	6.0
	WALL TO FLOOR BAR WITH OUTRIGGER, RIGHT	STAINLESS STEEL	01-C1375R	5.0
	WALL TO FLOOR BAR WITH OUTRIGGER, LEFT	STAINLESS STEEL	01-C1375L	5.0
	STRADDLE BAR	STAINLESS STEEL	01-C130080	6.0
	STRADDLE BAR FOR USE WITH FLUSH VALVE	STAINLESS STEEL	01-C1380FV	6.0
	WALL TO FLOOR SWING BAR	STAINLESS STEEL	01-C130085	15.0
	WALL TO FLOOR SWING BAR WITH PAPER HOLDER	STAINLESS STEEL	01-C1385PH	16.0





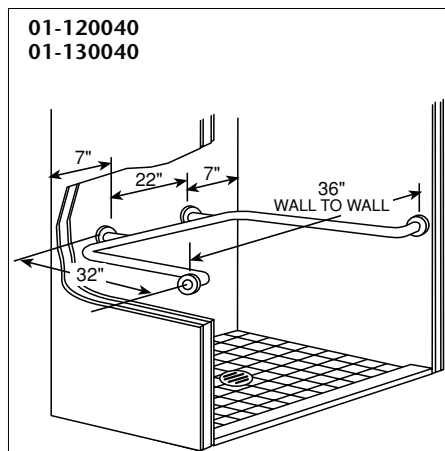
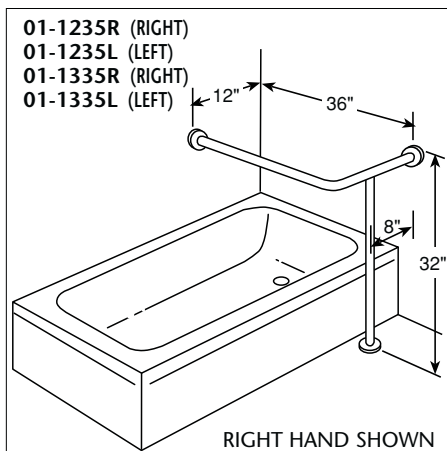
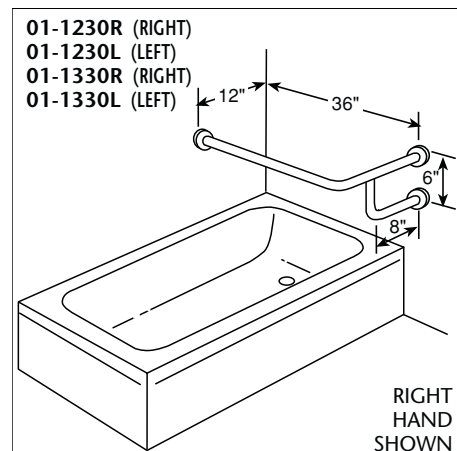
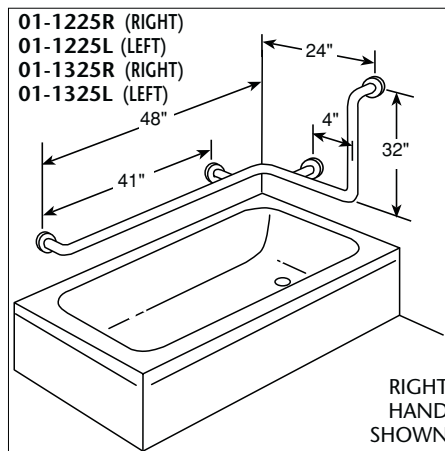
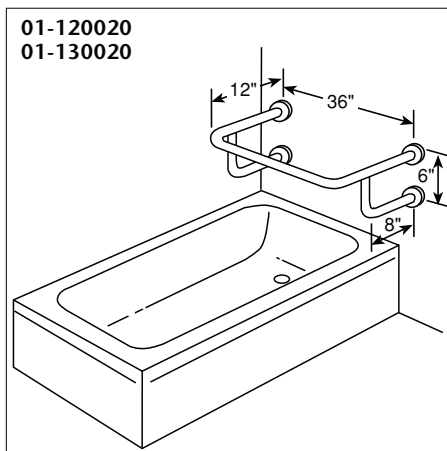
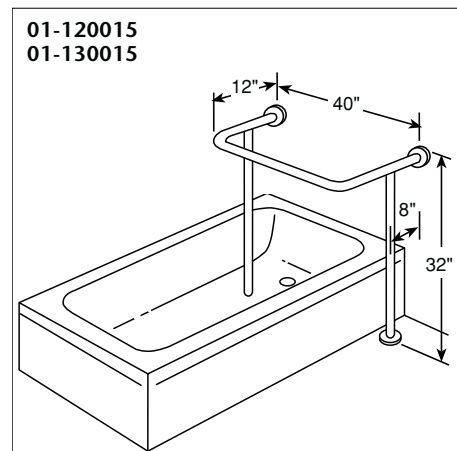
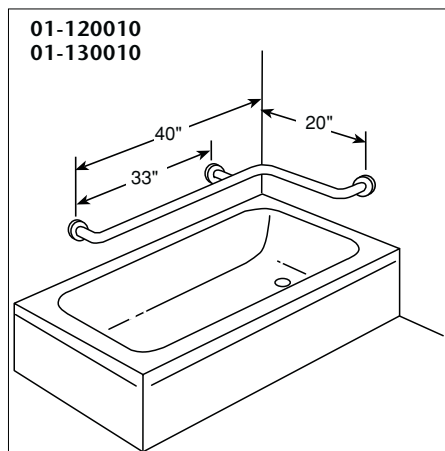
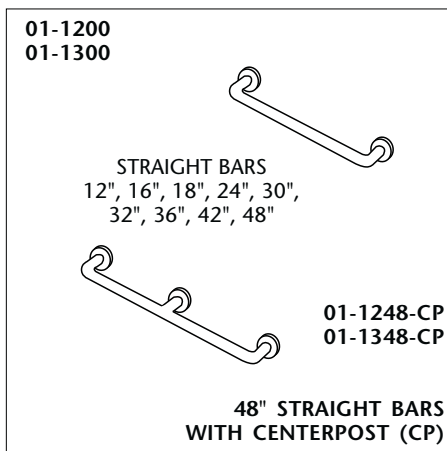
# TYPICAL GRAB BAR APPLICATIONS

## APPLICATIONS

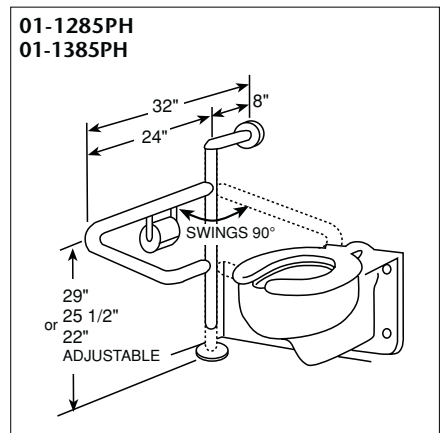
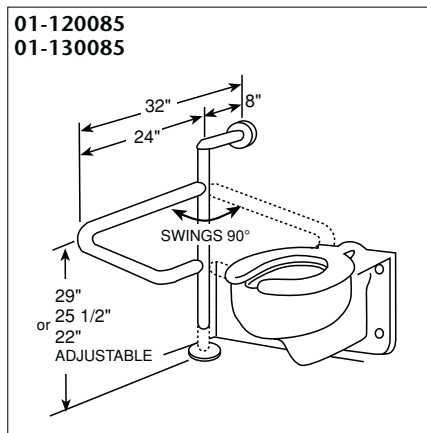
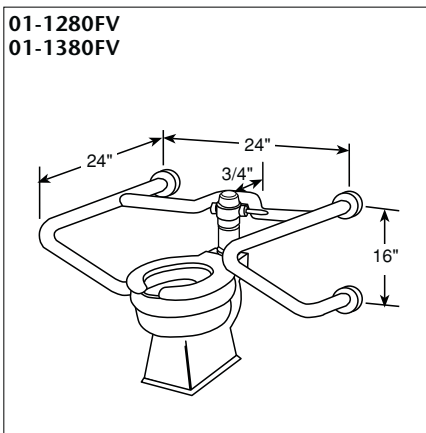
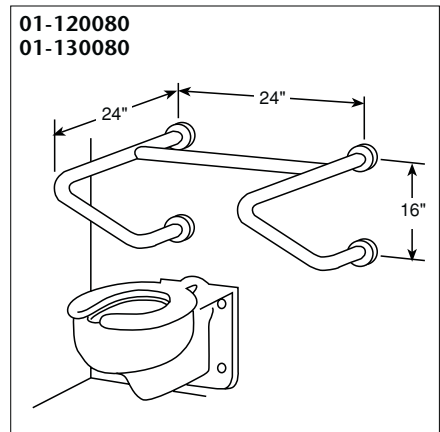
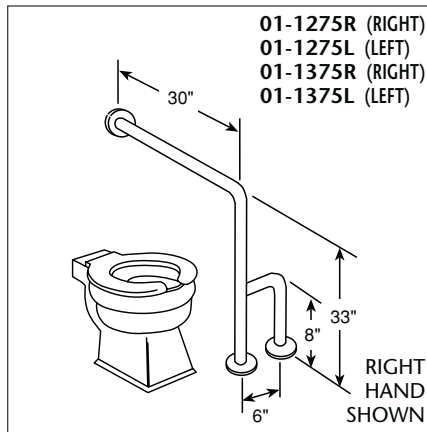
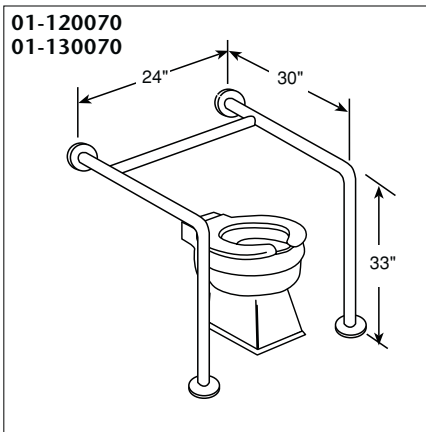
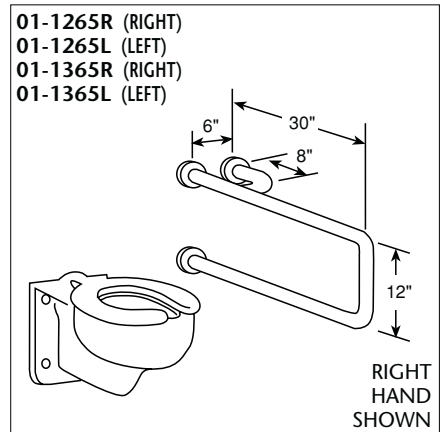
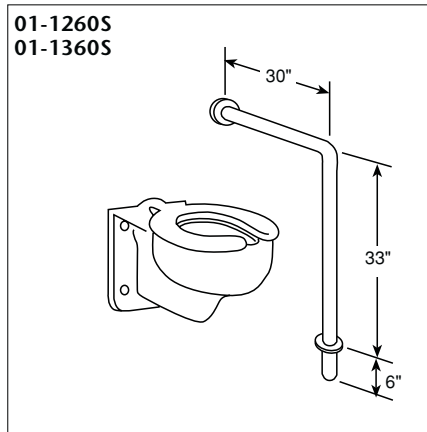
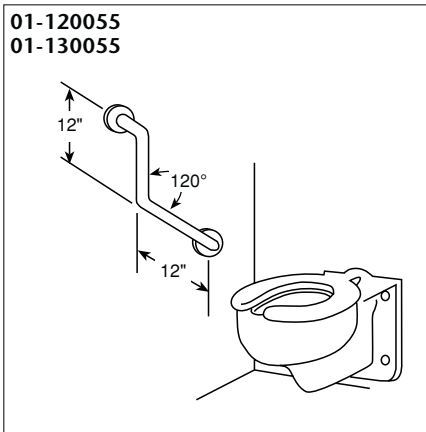
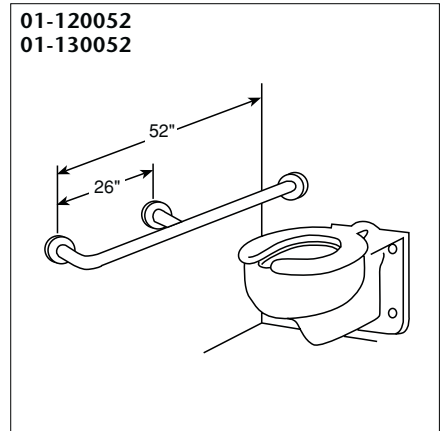
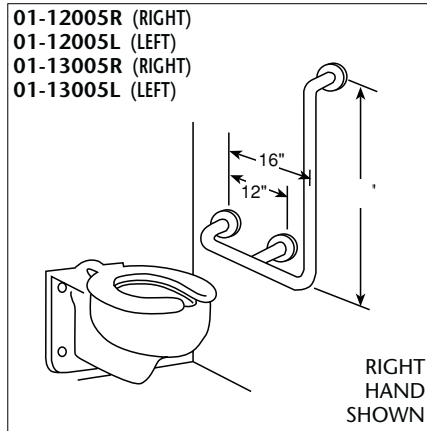
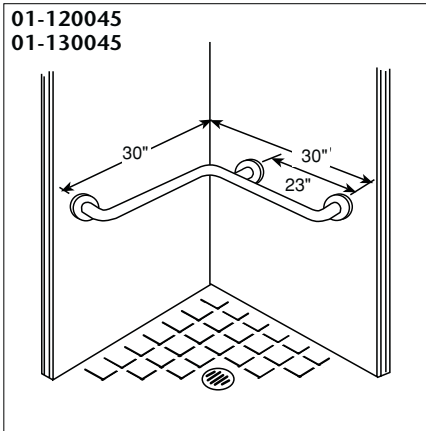


NOTE: DIMENSIONS ARE MEASURED FROM CENTERLINE TO CENTERLINE OF TUBING.

- ◆ 1200 SERIES 1 1/4" O.D. EXPOSED FLANGES
- ◆ 1300 SERIES 1 1/2" O.D. EXPOSED FLANGES
- ◆ C1200 SERIES 1 1/4" O.D. CONCEALED FLANGES
- ◆ C1300 SERIES 1 1/2" O.D. CONCEALED FLANGES



# TYPICAL GRAB BAR APPLICATIONS *continued*





## RESIDENTIAL

### GRAB BARS CONTRACTOR PACK

#### FEATURES

- ◆ HEAVY DUTY DESIGN MEETS 300 POUND PULL WHEN PROPERLY INSTALLED
- ◆ GAUGE .032" – 21 GAUGE
- ◆ COMPLETE WITH 2" PHILLIPS HEAD SCREWS FOR QUICK INSTALLATION
- ◆ 7/8" DIAMETER POLISHED TYPE 304 STAINLESS STEEL BAR/SOLID BRASS BAR – LACQUERED AND POLISHED OR ANTIQUED BRASS FINISH
- ◆ RESIDENTIAL STYLE PLATED BRACKETS
- ◆ STRAIGHT OR ANGLED DESIGN
- ◆ POSTS – DIAMETER OF BASE: 2 1/4" x 2 1/4"; HEIGHT 2 1/2"
- ◆ INTERNAL ALLEN SCREW-IN POST PREVENTS GRAB BAR FROM SPINNING
- ◆ EXPOSED SCREW MOUNT



ILLUSTRATION	DESCRIPTION	FINISH	MODEL #	CASE QTY.
<b>7/8" DIAMETER STAINLESS STEEL RESIDENTIAL GRAB BARS</b>				
<p>COMPLETE WITH POSTS</p>	9" x 7/8" O.D. STRAIGHT GRAB BAR	STAINLESS STEEL	01-11249	50
	16" x 7/8" O.D. STRAIGHT GRAB BAR	STAINLESS STEEL	01-112416	50
	24" x 7/8" O.D. STRAIGHT GRAB BAR	STAINLESS STEEL	01-112424	50
	32" x 7/8" O.D. STRAIGHT GRAB BAR	STAINLESS STEEL	01-112432	50
	36" x 7/8" O.D. STRAIGHT GRAB BAR	STAINLESS STEEL	01-112436	50
	16" x 32" x 7/8" O.D. ANGLE GRAB BAR	STAINLESS STEEL	01-1128	50
	<b>REPLACEMENT PARTS – STAINLESS STEEL</b>			
	9" x 7/8" O.D. GRAB BAR ONLY	STAINLESS STEEL	01-R11249	50
	16" x 7/8" O.D. GRAB BAR ONLY	STAINLESS STEEL	01-R112416	50
	24" x 7/8" O.D. GRAB BAR ONLY	STAINLESS STEEL	01-R112424	50
	32" x 7/8" O.D. GRAB BAR ONLY	STAINLESS STEEL	01-R112432	50
	36" x 7/8" O.D. GRAB BAR ONLY	STAINLESS STEEL	01-R112436	50
	16" x 32" x 7/8" O.D. ANGLE GRAB BAR ONLY	STAINLESS STEEL	01-R1128	50
	7/8" O.D. GRAB BAR POSTS ONLY (FOR STRAIGHT BAR)	STAINLESS STEEL	01-R1024P	50
7/8" O.D. GRAB BAR POSTS ONLY (FOR ANGLE BAR)	STAINLESS STEEL	01-R1026P	50	
<b>7/8" DIAMETER SOLID BRASS RESIDENTIAL GRAB BARS</b>				
<p>COMPLETE WITH POSTS</p>	16" x 7/8" O.D. STRAIGHT GRAB BAR	SOLID BRASS	05-PB112416	50
	24" x 7/8" O.D. STRAIGHT GRAB BAR	SOLID BRASS	05-PB112424	50
<b>REPLACEMENT PARTS – SOLID BRASS</b>				
	16" x 7/8" O.D. GRAB BAR ONLY	SOLID BRASS	05-RPB12416	50
	24" x 7/8" O.D. GRAB BAR ONLY	SOLID BRASS	05-RPB12424	50
	7/8" O.D. GRAB BAR POSTS ONLY	SOLID BRASS	05-RPB1024P	50

## RESIDENTIAL

### GRAB BARS RETAIL PACK

#### FEATURES

- ◆ HEAVY DUTY DESIGN MEETS 300 POUND PULL WHEN PROPERLY INSTALLED
- ◆ GAUGE .032" – 21 GAUGE
- ◆ COMPLETE WITH 2" PHILLIPS HEAD SCREWS FOR QUICK INSTALLATION
- ◆ 7/8" DIAMETER POLISHED TYPE 304 STAINLESS STEEL BAR/SOLID BRASS BAR – LACQUERED AND POLISHED OR ANTIQUED BRASS FINISH
- ◆ RESIDENTIAL STYLE PLATED BRACKETS
- ◆ STRAIGHT OR ANGLED DESIGN
- ◆ POSTS – DIAMETER OF BASE: 2 1/4" x 2 1/4"; HEIGHT 2 1/4"
- ◆ INTERNAL ALLEN SCREW-IN POST PREVENTS GRAB BAR FROM SPINNING
- ◆ EXPOSED SCREW MOUNT



ADA COMPLIANT  
BARRIER FREE

ILLUSTRATION	DESCRIPTION	FINISH	MODEL #	CASE QTY.
	<b>7/8" DIAMETER STAINLESS STEEL RESIDENTIAL GRAB BARS</b>			
	9" x 7/8" O.D. STRAIGHT GRAB BAR	STAINLESS STEEL	02-D11249	50
	16" x 7/8" O.D. STRAIGHT GRAB BAR	STAINLESS STEEL	02-D112416	50
	24" x 7/8" O.D. STRAIGHT GRAB BAR	STAINLESS STEEL	02-D112424	50
COMPLETE WITH POSTS				
	<b>7/8" DIAMETER SOLID ANTIQUE BRASS RESIDENTIAL GRAB BARS</b>			
	16" x 7/8" O.D. STRAIGHT GRAB BAR	ANTIQUE BRASS	02-D12416AB	50
	24" x 7/8" O.D. STRAIGHT GRAB BAR	ANTIQUE BRASS	02-D12424AB	50
COMPLETE WITH POSTS				
	<b>7/8" DIAMETER SOLID POLISHED BRASS RESIDENTIAL GRAB BARS</b>			
	16" x 7/8" O.D. STRAIGHT GRAB BAR	POLISHED BRASS	02-D12416PB	50
	24" x 7/8" O.D. STRAIGHT GRAB BAR	POLISHED BRASS	02-D12424PB	50
COMPLETE WITH POSTS				

**Taymor®**

**BATH AIDE**

**SAFETY PRODUCTS  
RETAIL PACK**



**FEATURES**

- ◆ SUITABLE FOR RESIDENTIAL APPLICATIONS
- ◆ RETAIL PACKAGING
- ◆ KNURLED CHROME PLATED STEEL OR SMOOTH WHITE FINISH



ILLUSTRATION	DESCRIPTION	FINISH	MODEL #	CASE QTY.
	<b>1" DIAMETER STRAIGHT – WHITE – SMOOTH GRAB BARS – EXPOSED SCREW</b>			
	12" – 1" O.D.	WHITE POWDER COATED	03-3912	6
	16" – 1" O.D.	WHITE POWDER COATED	03-3916	6
	18" – 1" O.D.	WHITE POWDER COATED	03-3918	6
	24" – 1" O.D.	WHITE POWDER COATED	03-3924	6
	32" – 1" O.D.	WHITE POWDER COATED	03-3932	6
	<b>1" DIAMETER STRAIGHT – CHROME – KNURLED GRAB BARS – EXPOSED SCREW</b>			
	12" – 1" O.D.	CHROME PLATED STEEL	03-4912	6
	16" – 1" O.D.	CHROME PLATED STEEL	03-4916	6
	18" – 1" O.D.	CHROME PLATED STEEL	03-4918	6
	24" – 1" O.D.	CHROME PLATED STEEL	03-4924	6
	32" – 1" O.D.	CHROME PLATED STEEL	03-4932	6
	<b>TUB SAFETY RAILS</b>			
	TUB RAIL SINGLE LEVEL	POLISHED CHROME	03-6000	1
	TUB RAIL DUAL LEVEL	POLISHED CHROME	03-6001	1
	TUB RAIL DELUXE	WHITE POWDER COATED	03-6002	1
	<b>BATH SAFETY BENCHES</b>			
	BENCH ONLY	WHITE POWDER COATED	03-8000	1
	BENCH WITH BACKREST	WHITE POWDER COATED	03-8005	1
	BENCH ONLY – ADJUSTABLE	WHITE POWDER COATED	03-8010	1
	BENCH WITH BACKREST – ADJUSTABLE	WHITE POWDER COATED	03-8020	1